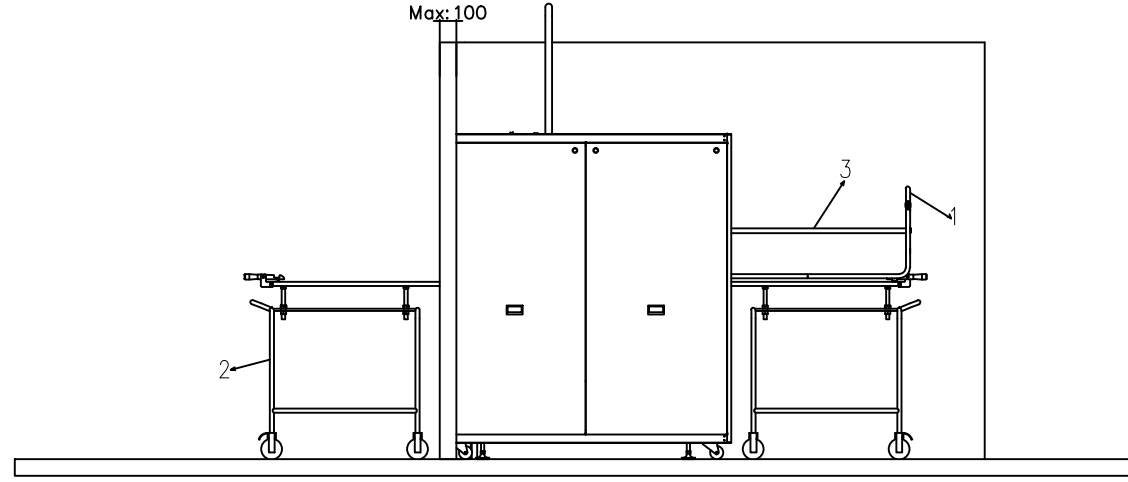
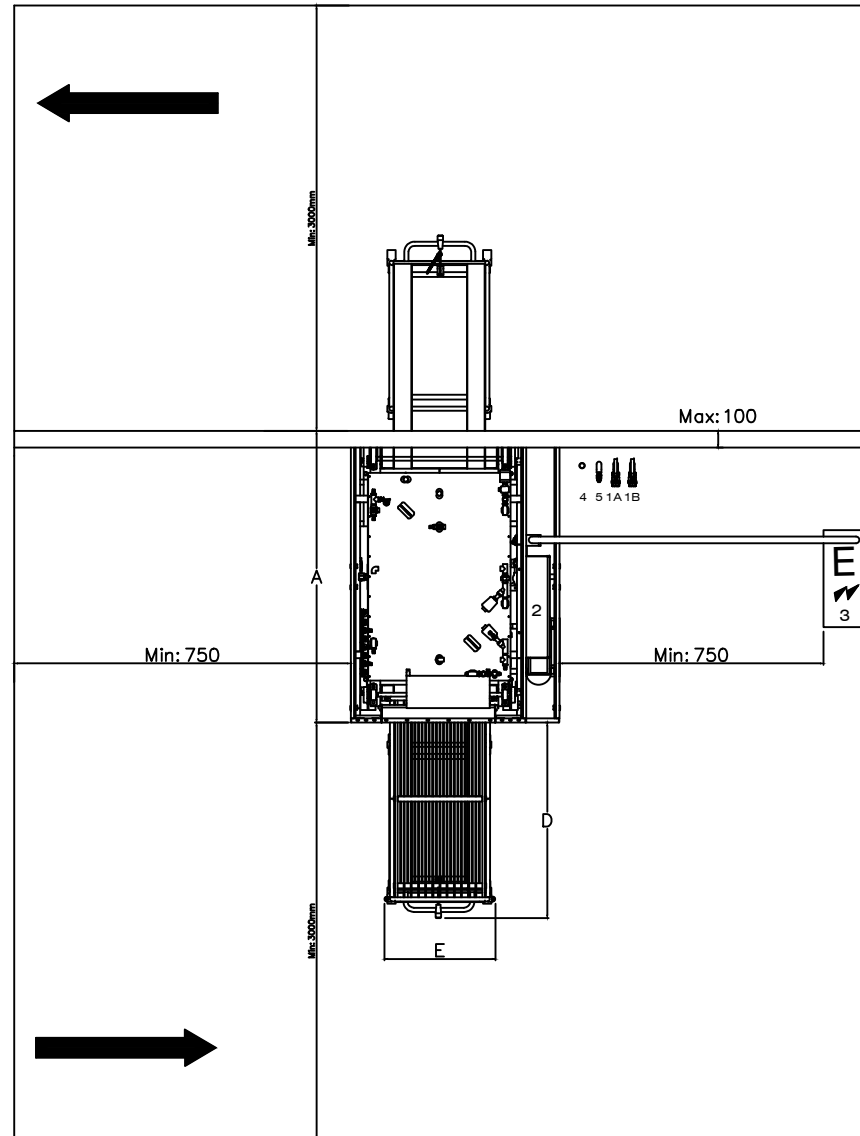


FRONT VIEW

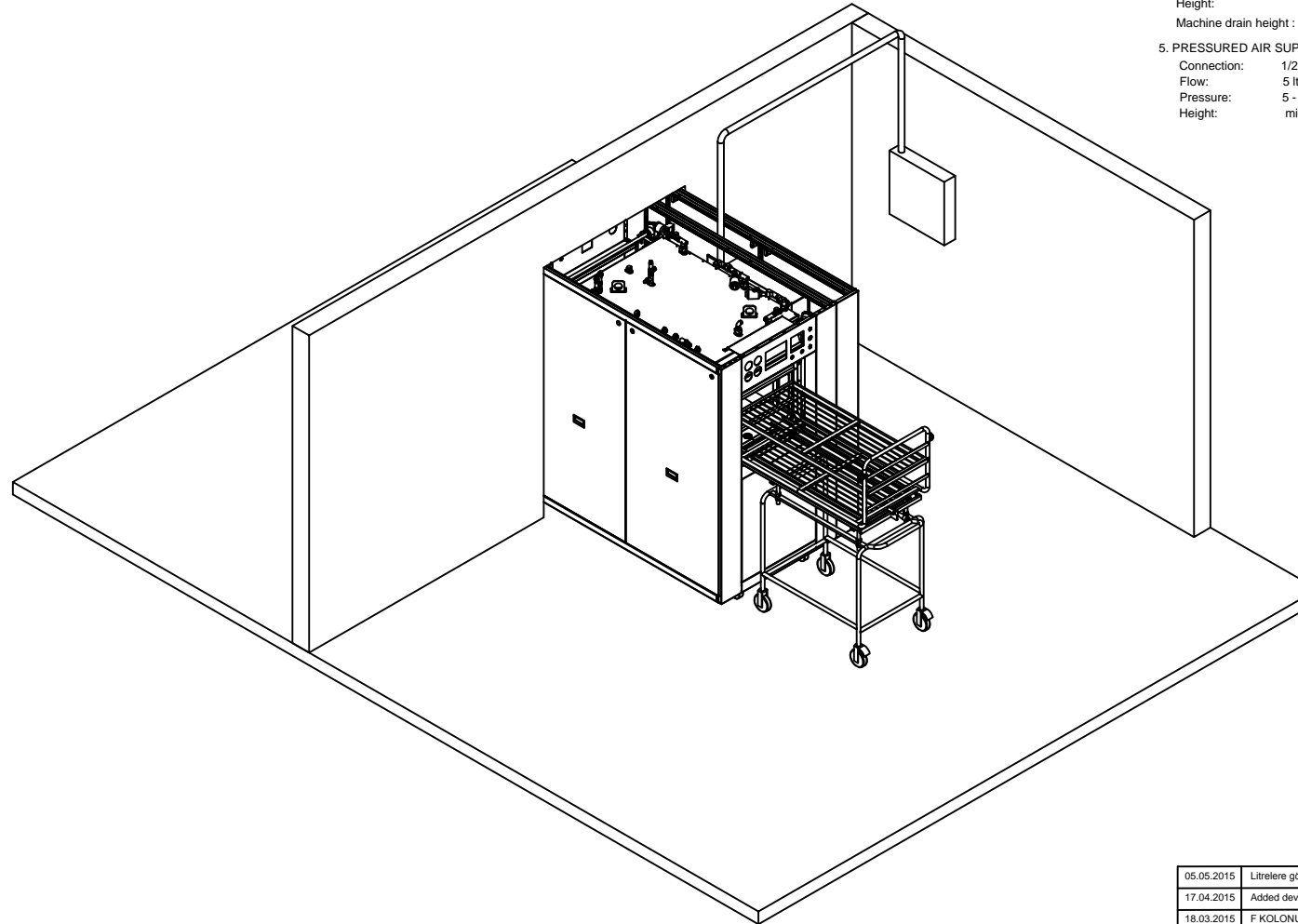


SIDE VIEW

- 1A. FEED WATER CONNECTION**  
 Connection: 3/4" male DN 20mm  
 Pressure: min. 2 Bar max. 5 Bar  
 Heat: min. 5°C max. 20°C  
 Height: min. 100mm max. 150mm  
 Water quality according EN 285 Annex B  
 Machine Water inlet height: 700mm
- 1B. DEMINERALIZED WATER CONNECTION**  
 Connection: 3/4" male DN 20mm  
 Pressure: min. 2 Bar max. 5 Bar  
 Heat: min. 5°C max. 20°C  
 Height: min. 100mm max. 150mm  
 Water quality according EN 285 Annex B  
 Machine Water inlet height: 700mm
- 2. ELECTRICAL CONNECTION AUTOCLAVE**  
 Volt: 380V,3P+N+G  
 Hz: 50Hz  
 Power: (TABLE - F)  
 Machine mains supply connection height: 1700mm
- 3. ELECTRICAL CONNECTION ROOM**  
 Volt: 380V,3P+N+G CIRCUIT BREAKER (SEE TABLE - F)  
 Hz: 50Hz
- 4. DRAIN**  
 250 lt and 690 lt Connection: Min: 1" Male galvanized pipe  
 740 lt and 900 lt Connection : Min: 1 1/2" Male galvanized pipe  
 Drain temperature : 96 °C  
 Height: min. 50mm max. 100mm  
 Machine drain height : 150mm
- 5. PRESSURED AIR SUPPLY(OPTIONAL):**  
 Connection: 1/2" male  
 Flow: 5 lt/min.  
 Pressure: 5 - 5.9 Bar  
 Height: min. 1000mm max. 1500mm



TOP VIEW



05.05.2015	Litrelere göre yükleme arabası ihtiyaç adetleri belirlendi.	
17.04.2015	Added device wall gap	
18.03.2015	F KOLONU DEĞİŞTİRİLDİ	
DATE	NOTE	REV.
DOUBLE DOOR AUTOCLAVE LITERS		
3	PACK	1 1 1 1 1 2 2 2 2
2	LOADING TROLLEY	2 2 2 2 2 4 4 4 4
1	LOADING BASKET	1 1 1 1 1 2 2 2 2
POZ	MATERIAL DESCRIPTION	QUANTITY

CHAMBER VOLUME	DIMENSION (mm)					
	A	B	C	D	E	F
160 LT	1235	770	1950	-	-	40 A
250 LT	1500	1100	1800	980	450	63 A
330 LT	1250	1250	1950	980	600	63 A
420 LT	1450	1250	1950	980	600	80 A
555 LT	1750	1250	1950	1230	600	100 A
670 LT	2000	1250	1950	1480	600	125 A
690 LT	2050	1250	1950	980	600	125 A
740 LT	2160	1250	1950	980	600	125 A
825 LT	2345	1250	1950	980	600	125 A
900 LT	2100	1500	1950	980	830	125 A

**TRANS**  
 GETİNCE  
 GETİNCE ÜNİVERSİTESİ

TRANS MEDİKAL ALETLER SANAYİ VE TİCARET A.Ş.  
 CEVAT DÜNDAR CADDESİ 65.SOKAK NO:1 OSTİM / ANKARA  
 TÜRKİYE

**Project Name**  
 VERTICAL DOUBLE DOOR STANDART AND RIGHT SERVICE  
 AUTOCLAVE INSTALLATION DRAWINGS

**Manufacture**  
 TRANS MEDİKAL ALETLER SANAYİ VE TİCARET A.Ş.  
 CEVAT DÜNDAR CADDESİ 65.SOKAK NO:1 OSTİM / ANKARA  
 TÜRKİYE

**Design and Application**  
 TRANS MEDİKAL ALETLER  
 PROJE DEPARTMANI

Name: SELÇUK ONDAG Date: 07.11.2014 Sing: NOVEMBER - 2014  
 Application: ERKAN USTABAŞ Date: 07.11.2014  
 Control: BÜLENT ASLAN Date: 07.11.2014  
 Approval: BÜLENT ASLAN Date: 07.11.2014

Scale: A0 Paper: AD Archive No:   
 Revision No: 3

(#) Water quality according EN 285 Annex B